

Primary Usage

Reference No.

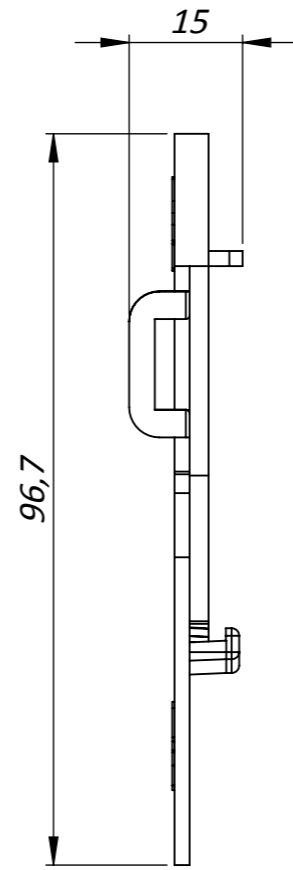
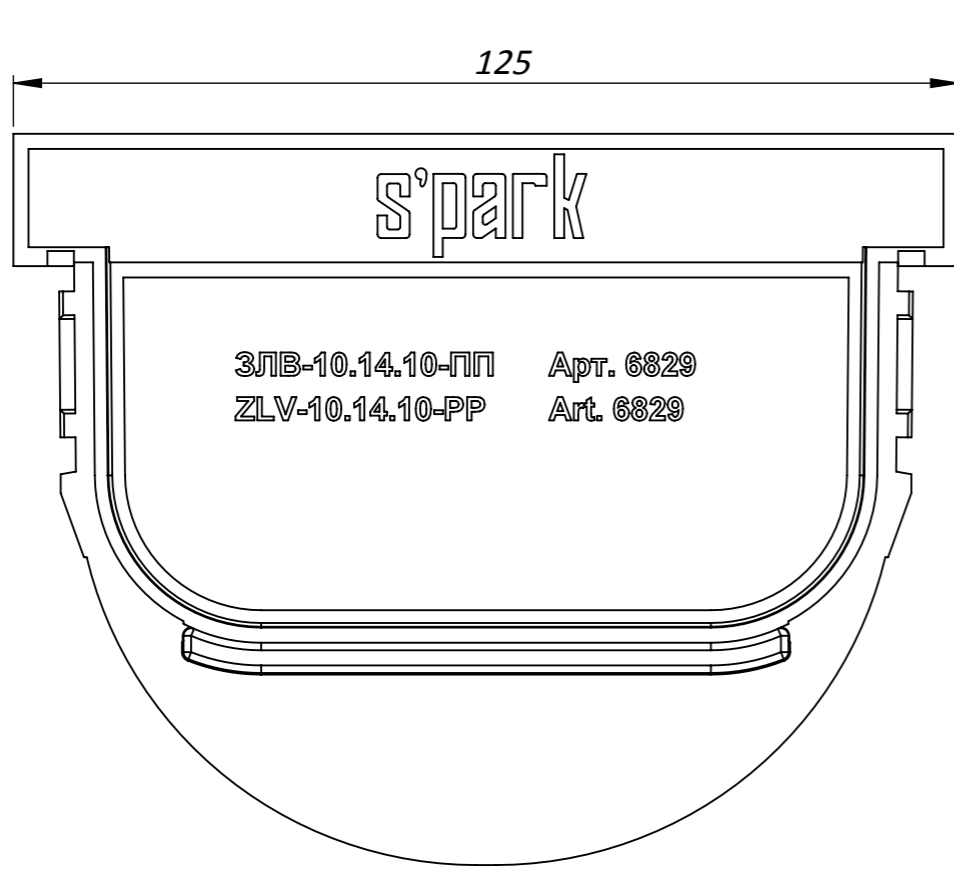
Sign. and date

Copy inv. No.

Repl. Inv. No.

Sign. and date

Orig. Inv. No.



						Art.	6829	
<b>ZLV-10.14.10-PP - 6829</b>								
						Let.	Weight	Scale
Rev.	Sheet	Doc. No.	Sign.	Data	<b>Plastic End Cap</b>		0.02	1:1
				10.05.17		Sheet	Sheets 1	
					<b>Plastic</b>	